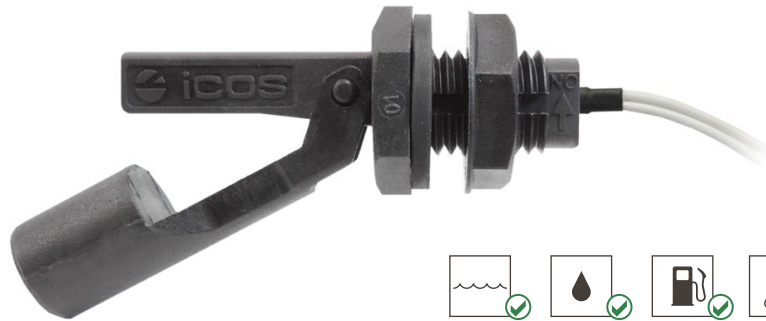


## LA36M-40

### Material

PPA - Polyphthalamide  
(PA hex nut)



**How it works** Movement of the magnetic float opens/closes a hermetically sealed contact ([reed switch](#)).

- Details**
- Compact and low cost;
  - On/Off SPST output;
  - Operation can be normally open or normally closed, by rotating the switch 180°.

- Typical applications**
- Tank liquid level control;
  - Pumps automation.



**Chemical products** require preliminary tests to confirm compatibility.

**Liquid with ferrous particles** should be avoided.

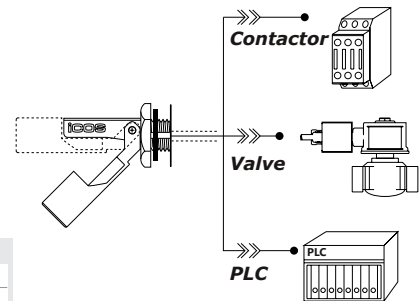
## Technical specifications

Maximum operating pressure **2bar**  
 Operating temperature range **-10°C to 125°C**  
 Liquid minimum density (SG) **0.70**  
 Sealing **NBR gasket**  
 Output connection **Wire 2 x 0.5mm<sup>2</sup> x 40cm**  
 Enclosure rating **IP66**  
 Electrical contact **Reed Switch 20W/VA**

**The sensors work in all voltage and current ranges displayed in the table below:**

Operating Voltage	Max. Switching Power	Max. Switching Current	Peak Current
110Vac	20VA	0.2A	0.5A @20ms
220Vac	20VA	0.1A	0.5A @20ms
5Vdc	2.5W	0.5A	1A @20ms
12Vdc	5W	0.5A	1A @20ms
24Vdc	10W	0.5A	1A @20ms

**24Vac:** NOT recommended

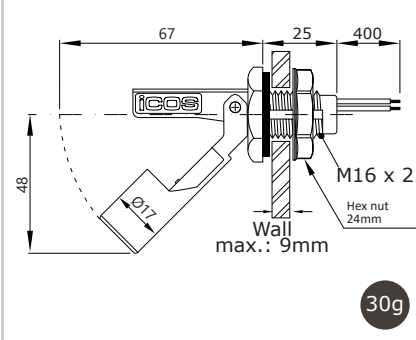


### Important!

- For cables longer than 20 meters.
- Relay coupler, timing relay, frequency inverter.

A series **resistor** must be installed.  
[Click and check how to install.](#)

### Dimensions (mm) and Weight

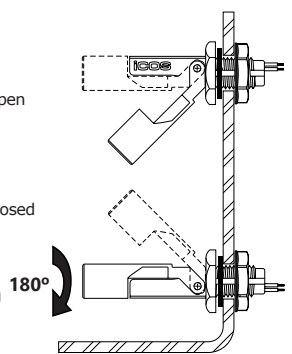


### Mounting

**NO**  
Working as  
Normally Open

**NC**  
Working as  
Normally Closed

**Note**  
Minimum  
radius in  
cylindric tank:  
**150mm.**



### Typical connection to contactor

